

Ref. : CA 7440.pas

Rev. : A

Date : 07/05/2009

Page : 1/1

WAFER TYPE AXIAL CHECK VALVE PN 10/16

CA 7440



ROBINETTERIE INDUSTRIELLE ET ACCESSOIRES
INDUSTRIAL VALVES AND ACCESSORIES

APPLICATION

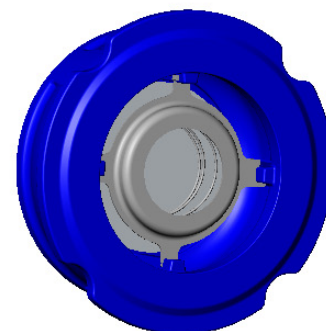
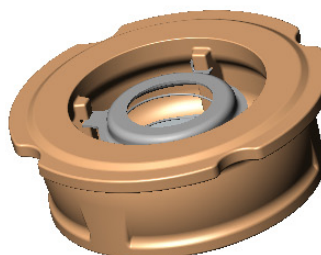
General uses : heating system industry corrosif fluid, high pressure, high temperature, chemicals pumping, thermal fluid, irrigation, gas, water conveyance, steam.

GENERAL CHARACTERISTICS

Range : from DN 32 to DN 200.
Short dimension.
Excellent hydraulic result.
High performance pressure and temperature.
Between flange assembling.
Mounting and functioning in horizontal and vertical position.
Low head loss.
Do not cause water hammer.

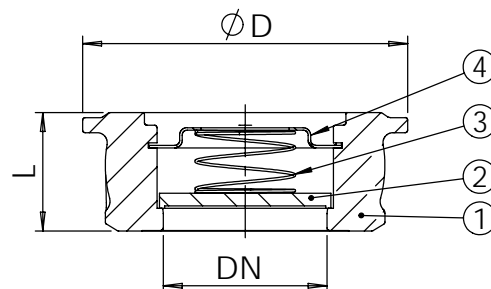
Type 1

Type 2



CONSTRUCTION

4	1	Stop spring	Stainless steel Cast iron EN-GJL-250	DN 32-100 DN 125-200
3	1	Spring	Stainless steel	
2	1	Disc	Stainless steel X2CrNiMo 17-12-2 Cast iron EN-GJL-250	DN 32-100 DN 125-200
1	1	Body	Brass Cast iron EN-GJL-250 Ductile iron EN-GJS-400-15	DN 32-50 DN 65-100 DN 125-200
Pos.	Qty.	Description	Material	



DIMENSIONS

DN	32	40	50	65	80	100	125	150	200
L	28	31,5	40	46	50	60	90	106	140
Ø D	84	94	109	129	144	162	194	218	273
Weight (kg)	0,35	0,52	0,73	1,52	2,17	3,35	8,55	12,70	23,40
TYPE	Type 1					Type 2			

WORKING CONDITIONS

PS max : 16 bar (TS max : +120 °C)
14,4 bar (TS max : +150 °C)
12,8 bar (TS max : +200 °C DN 32-50
+100 °C DN 65-200)
TS mini : -10 °C

STANDARDS

Test procedures are established according to standard EN 12266-1, DIN 3230, BS 6755 and ISO 5208.
Face to face according to standards NF EN 558-1 serie 49 and DIN 3202/3 serie K4.
Wafer type connections PN 10/16 according to standards EN 1092-2, DIN 2501, BS 4504 and ASA B16.1 Class125 FF.

