

Ref. : CA 6460.pas

Rev. : A

Date : 26/06/2008

Page : 1/1

WAFER TYPE AXIAL CHECK VALVE

CA 6460



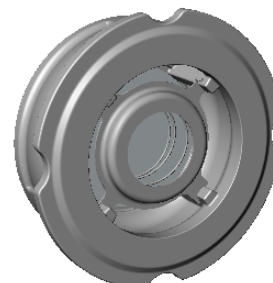
ROBINETTERIE INDUSTRIELLE ET ACCESSOIRES
INDUSTRIAL VALVES AND ACCESSORIES

APPLICATION

General use : heating system, industry, corrosif fluid, high pressure, high temperature, chemicals pumping, thermal fluid, irrigation, gas, water conveyance, steam.

GENERAL CHARACTERISTICS

- From DN 15 to DN 200.
- Short dimensions.
- Excellent hydraulic result.
- High performance pressure and temperature.
- Between flange assembling.
- Mounting and functioning in horizontal and vertical position.
- Low head loss.
- Do not cause water hammer.

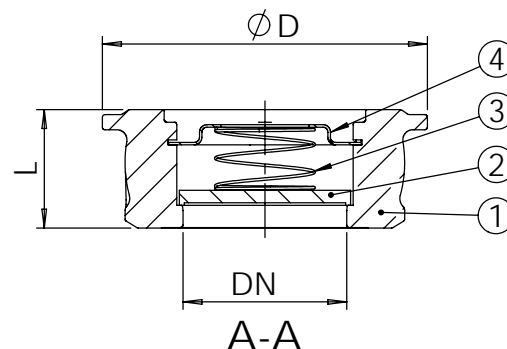


CONSTRUCTION

4	1	Stop spring	Stainless steel
3	1	Spring	Stainless steel
2	1	Disc	Stainless steel GX5CrNiMo 19-11-2 ** (DN 15-100) Stainless steel GX5CrNi 19-10* (DN 125-200)
1	1	Body	Stainless steel GX5CrNiMo 19-11-2** (DN 15-100) Stainless steel GX5CrNi 19-10* (DN 125-200)
Pos.	Qty.	Description	Material

* : DIN: G-X6CrNi18 9
ASTM: A 351 grade CF8
BS: 304C15

** : DIN: G-X6CrNiMo18 10
ASTM: A 351 grade CF8M
BS: 316C16



DIMENSIONS

DN	15	20	25	32	40	50	65	80	100	125	150	200
L	16	19	22	28	32	40	46	50	60	90	106	140
Ø D	36	46	57	67	81	93	113,5	128,3	153	192	224	284
Weight (kg)	0,10	0,17	0,25	0,46	0,60	1,05	1,40	1,76	2,90	8,55	12,70	30,00

WORKING CONDITIONS

Maximum working pressure : 40 bar.
Temperature mini : - 10 °C.
maxi : + 350 °C.

STANDARDS

Test procedures are established according to standard NF EN 12266-1, DIN 3230, ISO 5208.
Face to face according to standard DIN 3202/3 serie K4, NF EN 558-1 serie 49.
Between flanges according to standard ISO PN 16 / 25 / 40, DIN 2501-BS4504-ASA B 16.l class 125FF and ASA 150 on request.

