

Ref. : CB 3240.pas

Rev. : Initial

Date : 25/10/06

Page : 1/1

FLANGED TYPE SWING CHECK VALVE PN16

CB 3240



ISO 9001 : 2000

Certifié par



ROBINETTERIE INDUSTRIELLE ET ACCESSOIRES
INDUSTRIAL VALVES AND ACCESSORIES

APPLICATION

General uses: clean water, lightly charged, pumping, water piping, irrigation, gas, non corrosive fluid.

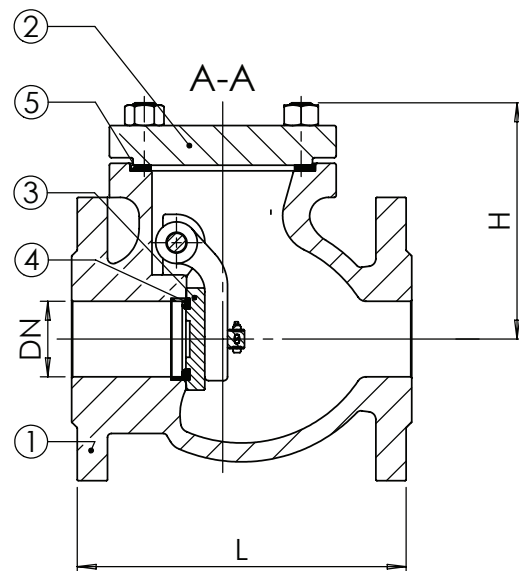
GENERAL CHARACTERISTICS

From DN 40 to 400,
Mounting in horizontal and vertical ascending position.
Simplicity in construction.
Total lift swing at opening.
Reliable and efficient functioning.
Strong construction materials.



CONSTRUCTION

5	1	Gasket	Fiber	
4	1	Tightness	Copper-alloy / Copper alloy	
3	1	Obturator	Cast iron EN-GJL-250	DIN: GG25 ASTM: A48 class 40B BS: 1452 Grade 250
2	1	Cover	Cast iron EN-GJL-250	DIN: GG25 ASTM: A48 class 40B BS: 1452 Grade 250
1	1	Body	Cast iron EN-GJL-250	DIN: GG25 ASTM: A48 class 40B BS: 1452 Grade 250
Pos.	Qty.	Description	Material	



DIMENSIONS

DN	L	H	ØD	ISO PN10			ISO PN16			Weight (kg)	
				Øk	n	ØM	Øk	n	ØM		
40	180	120	150	110	4	18	SAME AS PN10	-	12		
50	200	140	165	125	4	18		15			
65	240	142	185	145	4	18		20			
80	260	165	200	160	8	18		28			
100	300	175	220	180	8	18		41			
125	350	198	250	210	8	18		69			
150	400	228	285	240	8	22		72,5			
200	500	245	340	295	8	22		295	12	22	105
250	600	302	395	350	12	22		355	12	26	113
300	700	365	445	400	12	22		410	12	26	150
350	800	400	505	460	16	22	-	-	-	235	
400	900	415	565	515	16	26	-	-	-	285	
350	800	380	520	-	-	-	470	16	26	260	
400	900	415	580	-	-	-	525	16	30	315	

WORKING CONDITIONS

Maximum working pressure : 16 bar.
Maximum temperature : + 150°C.

Pressure test according to standards
EN 12266-1, DIN 3230, BS 6755 and ISO 5208 :

Body : 24 bar.

Seat : 17,6 bar.

STANDARDS

Face to face according to standards :
EN 558-1 serie 48 and DIN 3202/1 serie F6.
Flanges drilled according to EN 1092-2 and
DIN 2501/1: ISO PN10/16. ASA 150 on request.

