

Ref. : CB 6441.pas

Rev. : R

Date : 06/11/2014

Page : 1/1

STAINLESS STEEL WAFER TYPE SWING STAINLESS STEEL CHECK VALVE

CB 6441



Tecofi'
VALVE DESIGNER - FRANCE

APPLICATION

General uses: distribution and treatment of waters (filtration, equipment of swimming pool) air conditioning, hydrocarbon, irrigation, etc.

GENERAL CHARACTERISTICS

Design in accordance with standard NF EN 14341.
From DN 40 to DN 400.
Mounting and working position in horizontal and vertical ascending fluid.
Short length.
Easy mounting.
Low weight.
Seat inside body.
Low head loss.
Seat : rubber/metal or metal/metal (On request).
Option : O ring for face flanges.

CONSTRUCTION

7	2	Screw	A2 Class C70	
6	2	O-ring	FPM (Type Viton®)	
5	2	O-ring	FPM (Type Viton®)	
4	2	Retainer	Stainless steel 316 X5CrNiMo 17-12-2	DIN: X5CrNiMo18 10 ASTM: A 182 AISI 316 BS: 970 316 S16
3	1	Lifting ring	Zinc plated steel	
2	1	Disc	Stainless steel 316 X5CrNiMo 17-12-2	DIN: X5CrNiMo18 10 ASTM: A 182 AISI 316 BS: 970 316 S16
1	1	Body	Stainless steel 316 X5CrNiMo 17-12-2	DIN: X5CrNiMo18 10 ASTM: A 182 AISI 316 BS: 970 316 S16
Pos.	Q-ty	Description	Material	

DIMENSIONS

DN	L	Ø A	Ø D	d	Weight (kg)
040 - 1" 1/2	16	22	94	14	0,77
050 - 2"	16	32	109	15	1,00
065 - 2" 1/2	16	43	129	16	1,38
080 - 3"	16	56	144	16.5	1,65
100 - 4"	16	73	164	17	2,02
125 - 5"	16	95	195	17.5	2.83
150 - 6"	19	116	221	20.5	4,10
200 - 8"	22	156	276	25.5	7.18
250 - 10"	32	200	330	40.5	15,1
300 - 12"	38	235	380	42.5	22.3
350 - 14"	38	280	444	49	30.2
400 - 16"	44	316	491	56.5	43.5

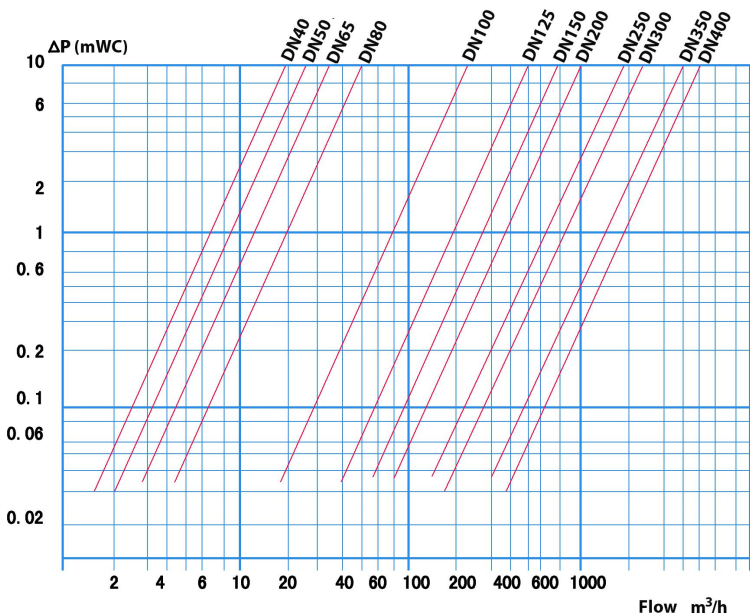
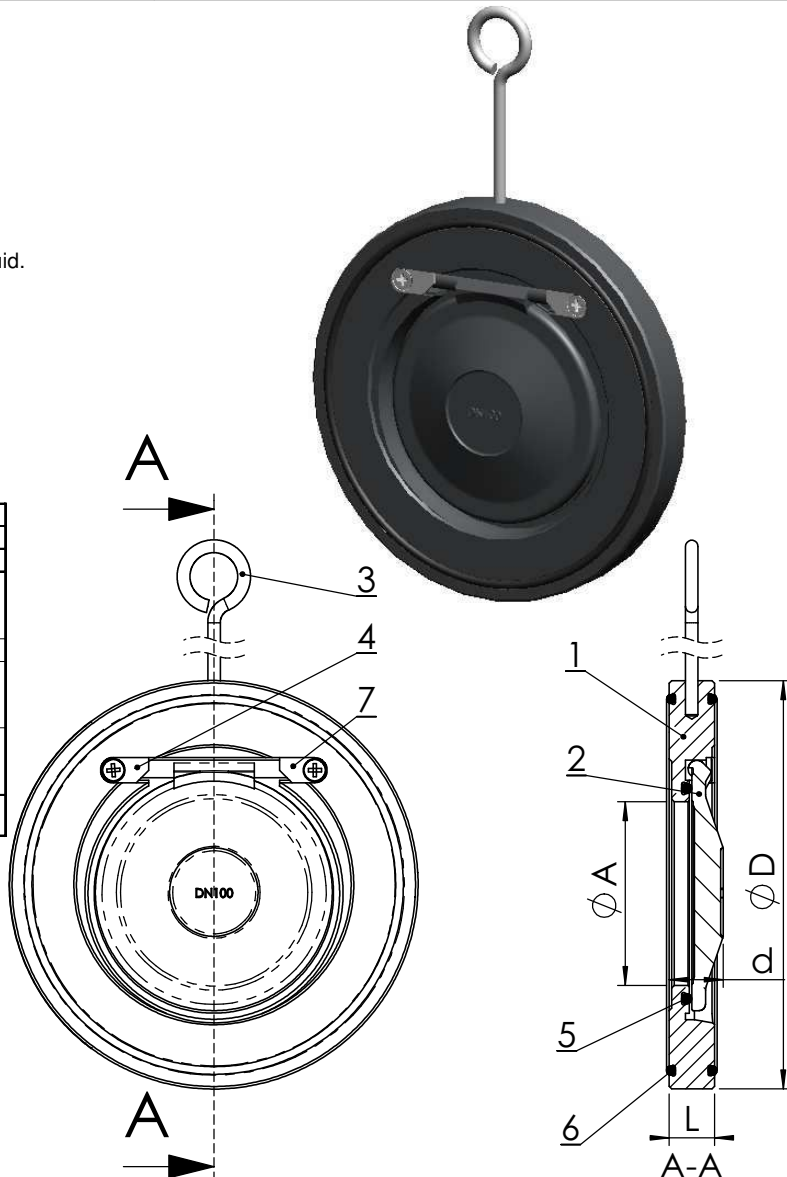
WORKING CONDITIONS

Maximum working pressure : 16 bar.
Maximum temperature : + 170°C.

Pressure test according to standards
EN 12266-1, DIN 3230, BS 6755 and ISO 5208 :
Body : 24 bar.
Seat : 17,6 bar.

STANDARDS

Face to face according to standard E 29-377 tab 2 serie FR,
except DN 200 : serie FR variant ISO PN 16.
Mounting between flanges PN 16.



TECOFI France - 83, Rue Marcel Mérieux 69960 Corbas - FRANCE
Tél. +33 (0) 4 72 79 05 79 - Fax +33 (0) 4 78 90 19 19 / +33 (0) 4 72 79 05 70
Adresses e-mail : sales@tecofi.fr ; tecofi@tecofi.fr / Site web : www.tecofi.fr