

Ref. : CC 5200.pas

Rev. : Initial

Date : 03/05/2007

Page : 1/1

FOOT CHECK VALVES WITH STRAINER

CC 5200



ROBINETTERIE INDUSTRIELLE ET ACCESSOIRES
INDUSTRIAL VALVES AND ACCESSORIES

APPLICATION

General uses: distribution and treatment of water (filtration, equipment of swimming pool) air conditioning, hydrocarbon, irrigation, etc.

GENERAL CHARACTERISTICS

Range : from DN 50 to DN 1000
Mounting and working position in horizontal and vertical ascending fluid.
Easy mounting.
Low weight.
Seat inside body.
Low head loss.
Seat : rubber/metal



CONSTRUCTION

7	2	Screw	Stainless steel A2	
6	4	Screw	Stainless steel A2	
5	4	Washer	Stainless steel A2	
4	1	Strainer	Zinc steel P265GH	DIN: H11 ASTM: A216 grade WCA BS: 1501 161 grade 400
3	1	O-Ring	Nitrile	
2	1	Disc	Zinc steel P265GH	DIN: H11 ASTM: A216 grade WCA BS: 1501 161 grade 400
1	1	Body	Zinc steel P265GH	DIN: H11 ASTM: A216 grade WCA BS: 1501 161 grade 400
Pos	Qty.	Description	Material	

DIMENSIONS

DN		Ø A	Ø B	Ø C	D	Drilled sheet steel
mm	inch					
50	2"	165	32	102	100	R 6 T 8.5
65	2" 1/2	185	45	122	120	
80	3"	200	56	133	140	
100	4"	220	75	158	170	
125	5"	250	95	184	210	
150	6"	285	120	212	235	
200	8"	340	160	268	270	
250	10"	395	200	320	370	R 10 T 15
300	12"	445	240	370	400	
350	14"	505	280	430	420	
400	16"	565	316	470	450	
450	18"	615	365	500	500	
500	20"	670	410	540	570	
600	24"	780	490	640	680	
700	28"	895	595	750	850	
800	32"	1015	690	860	950	
900	36"	1115	715	955	1080	
1000	40"	1230	825	1055	1200	

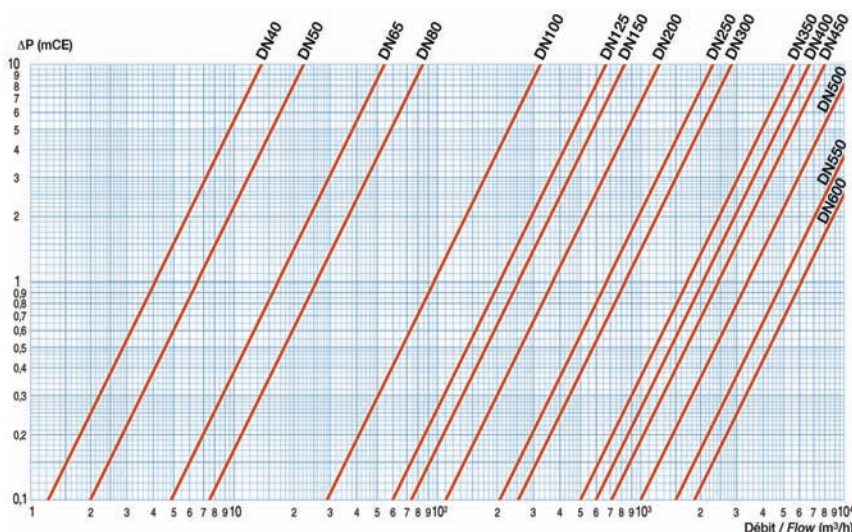
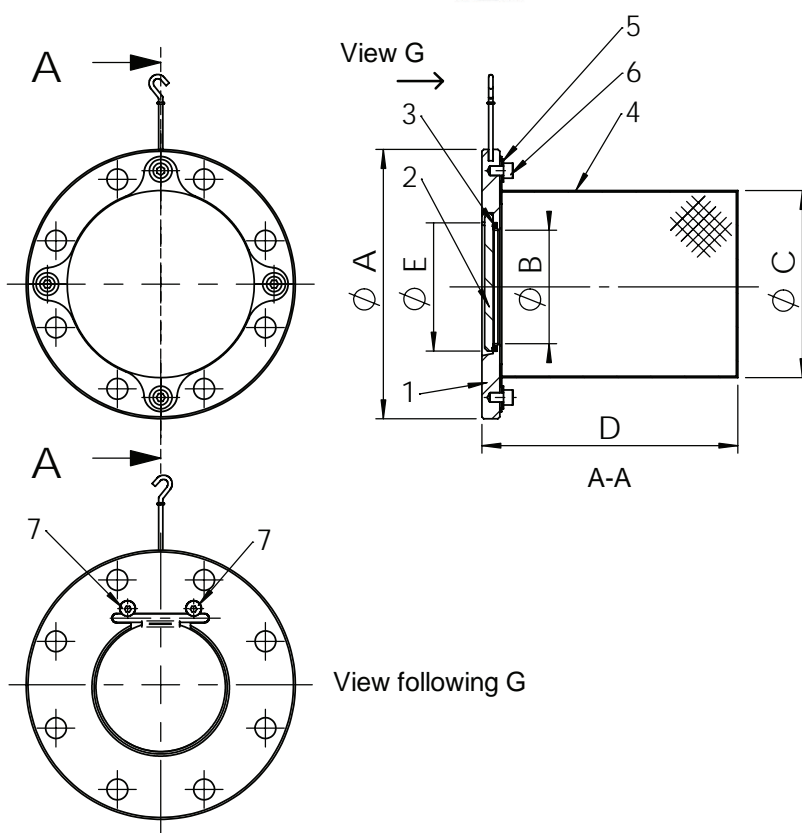
WORKING CONDITIONS

Maximum working pressure : 16 bar.
Maximum temperature : + 80 °C.

Pressure test according to standards EN 12266-1, DIN 3230, BS 6755 and ISO 5208 :
Body : 24 bar.
Seat : 17,6 bar.

STANDARDS

Connections according to standard EN 1092-1.



5, impasse Pascal - Z.I. - BP 177 - 69686 CHASSIEU Cedex - FRANCE
Tél. +33 (0) 4 72 79 05 79 - Fax +33 (0) 4 78 90 19 19 / +33 (0) 4 72 79 05 70
E-mail : tecofi@tecofi.fr - Service commercial / Sales dep. : sales@tecofi.fr - www.tecofi.fr