

Ref. : VP 4409-03.pas

Rev. : B

Date : 09/02/2010

Page : 1/1

WAFER TYPE BUTTERFLY VALVE WITH DOUBLE ACTING PNEUMATIC ACTUATOR TECLARGE VP 4409-03



ROBINETTERIE INDUSTRIELLE ET ACCESSOIRES
INDUSTRIAL VALVES AND ACCESSORIES

APPLICATION

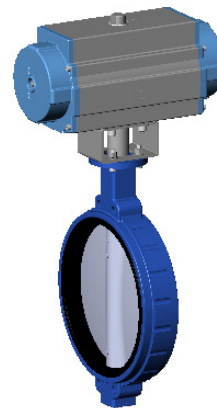
General use : water, sludge, etc.

GENERAL CHARACTERISTICS

Design in accordance with NF EN 593.
Tightness in both ways, NF EN 12266-1, ISO 5208, DIN 3230.
Sleeve internally reinforced in aluminium giving a low torque.
Crossing stem.
Self lubricant bearing in copper alloy.
Supplementary tightness on stem by o'rings.
Dovetail type sleeve.

CONSTRUCTION

6	1	Pneumatic actuator		Double acting
5	1	Bottom cover	EN-GJL-250	DIN: GG25 ASTM: A48 class 40B BS: 1452 Grade 250
4	1	Stem	Stainless steel 410	DIN: 1.4006 ASTM: AISI 410 BS: 410 S 21
3	1	Sleeve	Heat EPDM	
2	1	Disc	GX5CrNiMo 19-11-2	DIN: G-X6CrNiMo18 10 ASTM: A351 Grade CF8M BS: 1504 316 C16
1	1	Body	EN-GJS-400-15	DIN: GGG 40 ASTM: A536 65-45-12 BS: EN-JS1030
Pos.	Qty.	Description	Material	



PRESSURE TEMPERATURE RATING

Maxi working pressure: 10 bar.
Maxi temperature: -15°C / +130°C.
Peak temperature: -30°C / +150°C.

STANDARDS

Manufacture according to the requirements of the European directive 97/23/CE «Equipments under pressure» : category III modulate H.

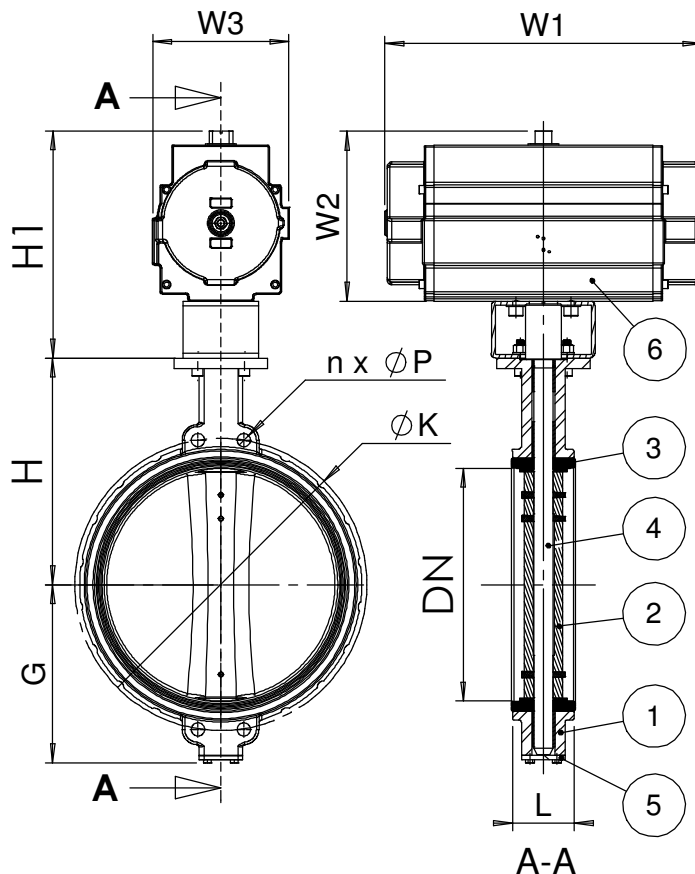
Pressure test according to standards EN 12266-1, DIN 3230, BS 5154 and ISO 5208 :

Body : 15,5 bar.

Seat : 11 bar.

Face to face according to standard EN 558-1 serie 20, ISO 5752 serie 20 and DIN 3202.

Wafer type ISO PN10 connections according to standard EN 1092-2.



DIMENSIONS

DN		Valve						Pneumatic actuator**			Weight (kg)	
mm	inch	L	G	H	H1	Ø K	n x Ø P	Type	W1	W2		W3
350	14"	78(92)*	267	368	298	460	4 x Ø23	DA160	522	218	187	68
400	16"	102	309	400	359	515	4 x Ø28	DA200	575	269	218	96,5
450	18"	114	329	422	359	565	4 x Ø28	DA200	575	269	218	111,3
500	20"	127	361	480	481	620	4 x Ø28	DA270	672	361	290	174,9
600	24"	154	459	562	481	725	4 x Ø31	DA270	672	361	290	263,2

* L = 92 on request.

** Data sheet is according to ΔP 10 bar maxi for air pressure of 6 bar.