

Ref. : VP 3508-03.pas

Rev. : Initial

Date : 26/02/2009

Page : 1/1

FLANGED TYPE BUTTERFLY VALVE WITH DOUBLE ACTING PNEUMATIC ACTUATOR TECLARGE FL VP 3508-03



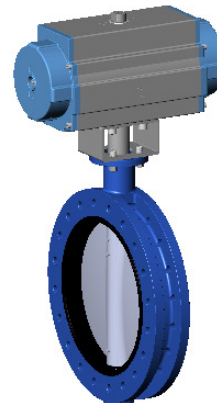
ROBINETTERIE INDUSTRIELLE ET ACCESSOIRES
INDUSTRIAL VALVES AND ACCESSORIES

APPLICATION

General use : water, sludge, etc.

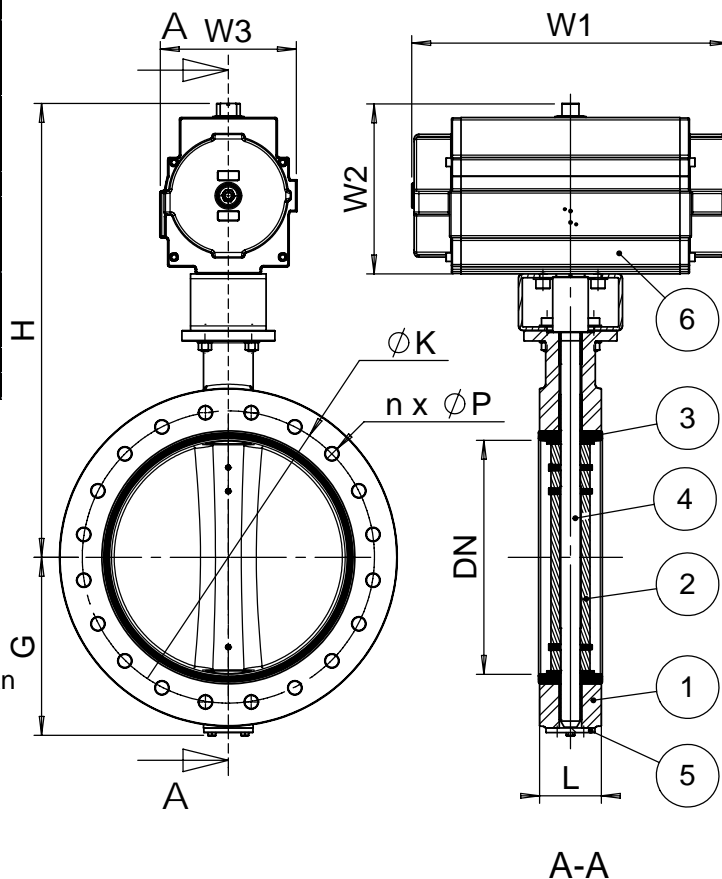
GENERAL CHARACTERISTICS

Design in accordance with NF EN 593.
Tightness in both ways, NF EN 12266-1, ISO 5208, DIN 3230.
Sleeve internally reinforced in aluminium giving a low torque.
Crossing stem.
Self lubricant bearing in copper alloy.
Supplementary tightness on stem by o'rings.
Dovetail type sleeve.



CONSTRUCTION

6	1	Pneumatic actuator		Double acting
5	1	Bottom cover	EN-GJL-250	DIN: GG25 ASTM: A48 class 40B BS: 1452 Grade 250
4	1	Stem	Stainless steel 410	DIN: 1.4006 ASTM: AISI 410 BS: 410 S 21
3	1	Sleeve	EPDM	
2	1	Disc	EN-GJS-400-15	DIN: GGG 40 ASTM: A536 65-45-12 BS: EN-JS1030
1	1	Body	EN-GJL-250	DIN: GG25 ASTM: A48 class 40B BS: 1452 Grade 250
Pos.	Qty.	Description	Material	



PRESSURE TEMPERATURE RATING

Maxi working pressure: 10 bar.
Maxi temperature: +4°C / +110°C.
Peak temperature: -20°C / +130°C.

STANDARDS

Manufacture according to the requirements of the European directive 97/23/CE «Equipments under pressure» : fluids category III modulate H.

Pressure test according to standards EN 12266-1, DIN 3230, BS 5154 and ISO 5208 :

Body : 15,5 bar.

Seat : 11 bar.

Face to face according to standard EN 558-1 serie 20, ISO 5752 serie 20 and DIN 3202.

Flanged type ISO PN10 according to standard EN 1092-2.

DIMENSIONS

DN		Valve					Pneumatic actuator**			Weight (kg)	
mm	inch	L	G	H	Ø K	n x Ø P	Type	W1	W2		W3
350	14"	78(92)*	267	368	460	16 x Ø23	DA160	522	218	187	65,2
400	16"	102	309	400	515	16 x Ø27	DA200	575	269	218	92,2
450	18"	114	329	422	565	20 x Ø26	DA200	575	269	218	107,2
500	20"	127	361	480	620	20 x Ø27	DA270	672	361	290	165,9
600	24"	154	459	562	725	20 x Ø30	DA270	672	361	290	254,9

* L = 92 on request.

** Data sheet is according to ΔP 10 bar maxi for air pressure of 6 bar .